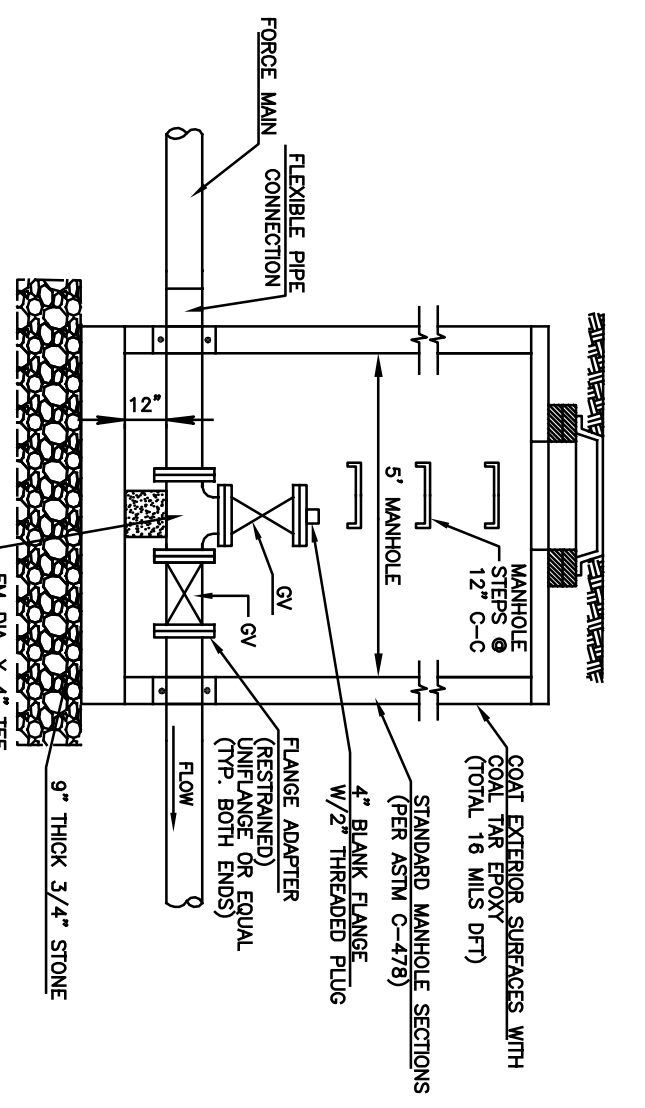
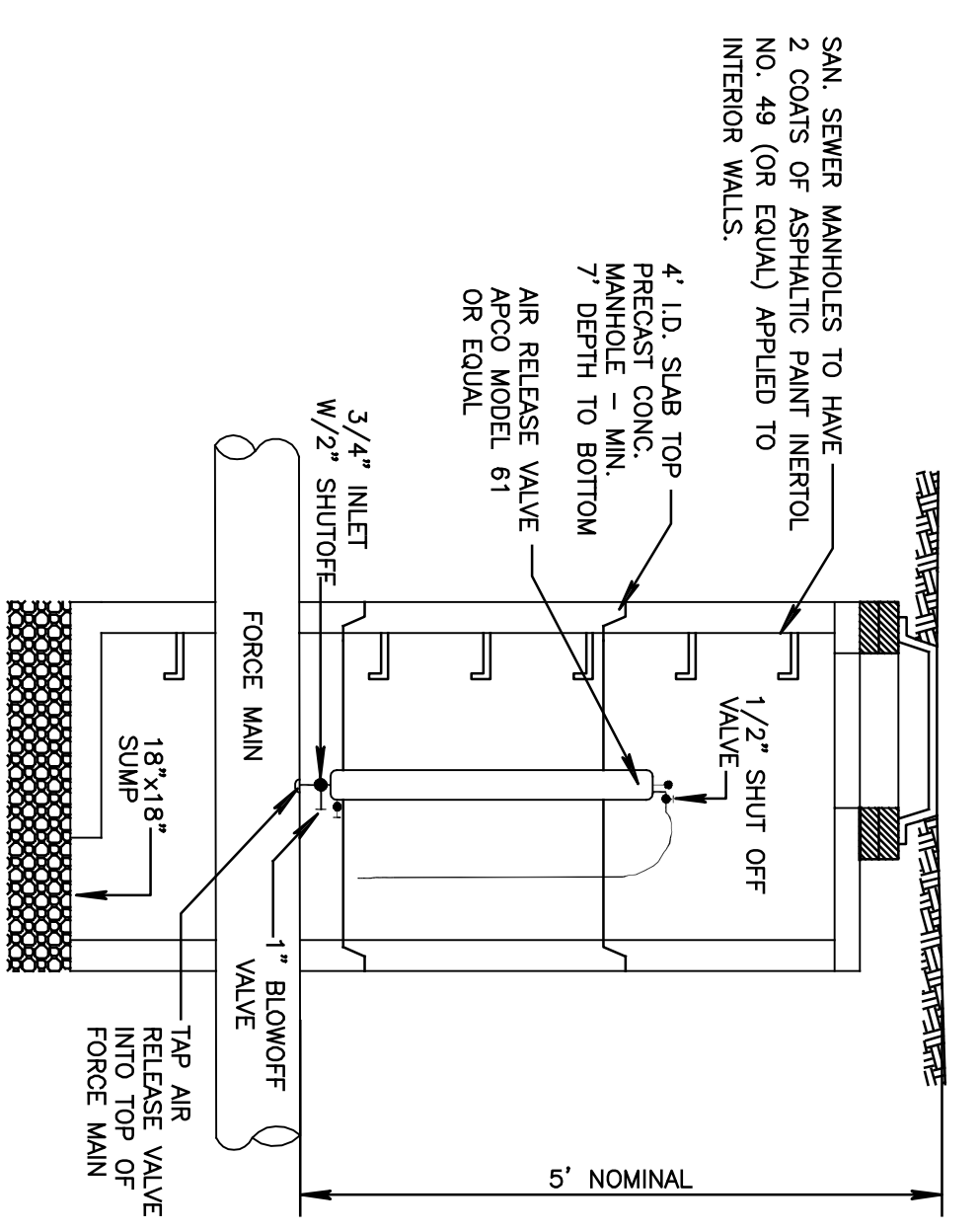


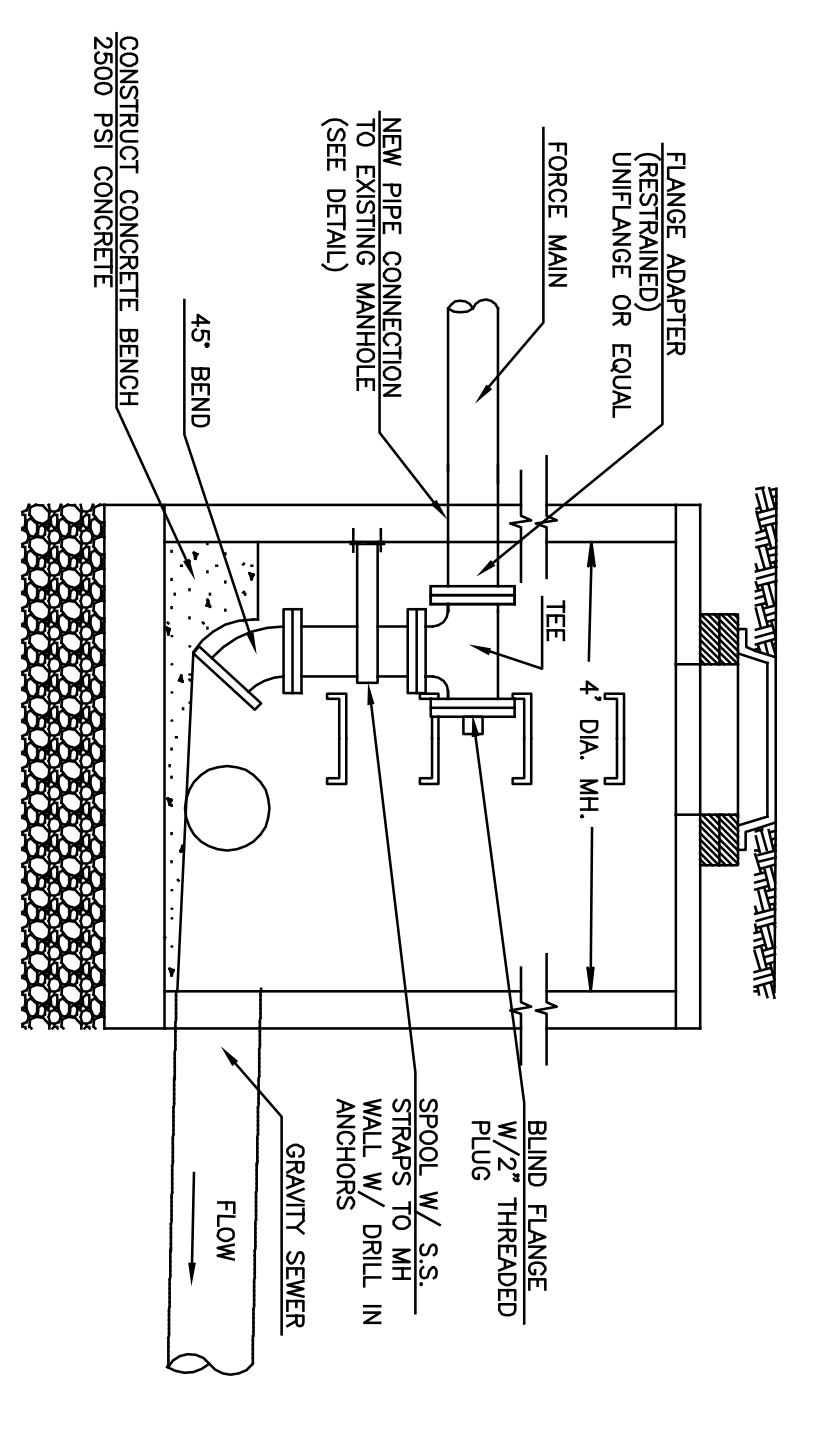
PUMP STATION BYPASS CONNECTION
 NOT TO SCALE



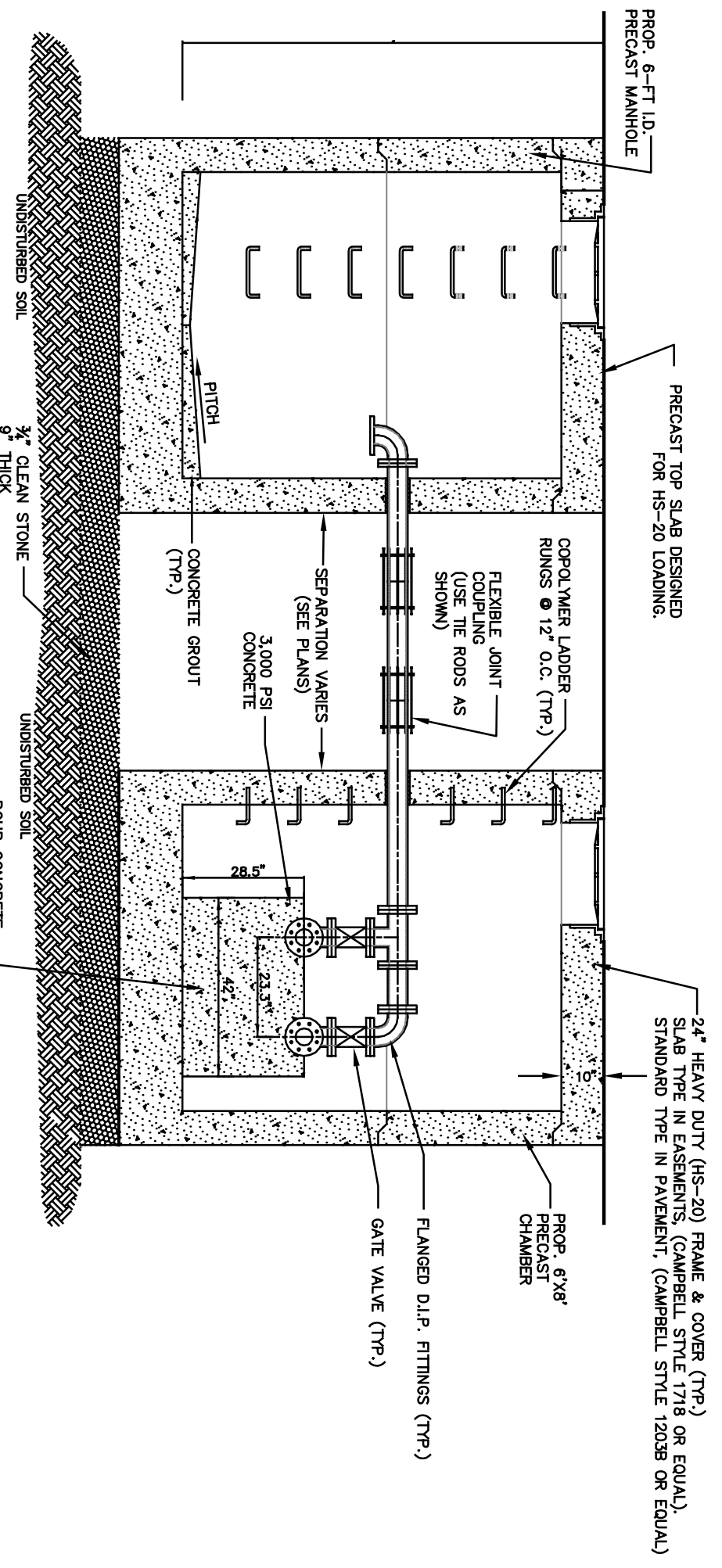
**FORCE MAIN CLEANOUT MANHOLE (4'-12\"/>
 NOT TO SCALE**



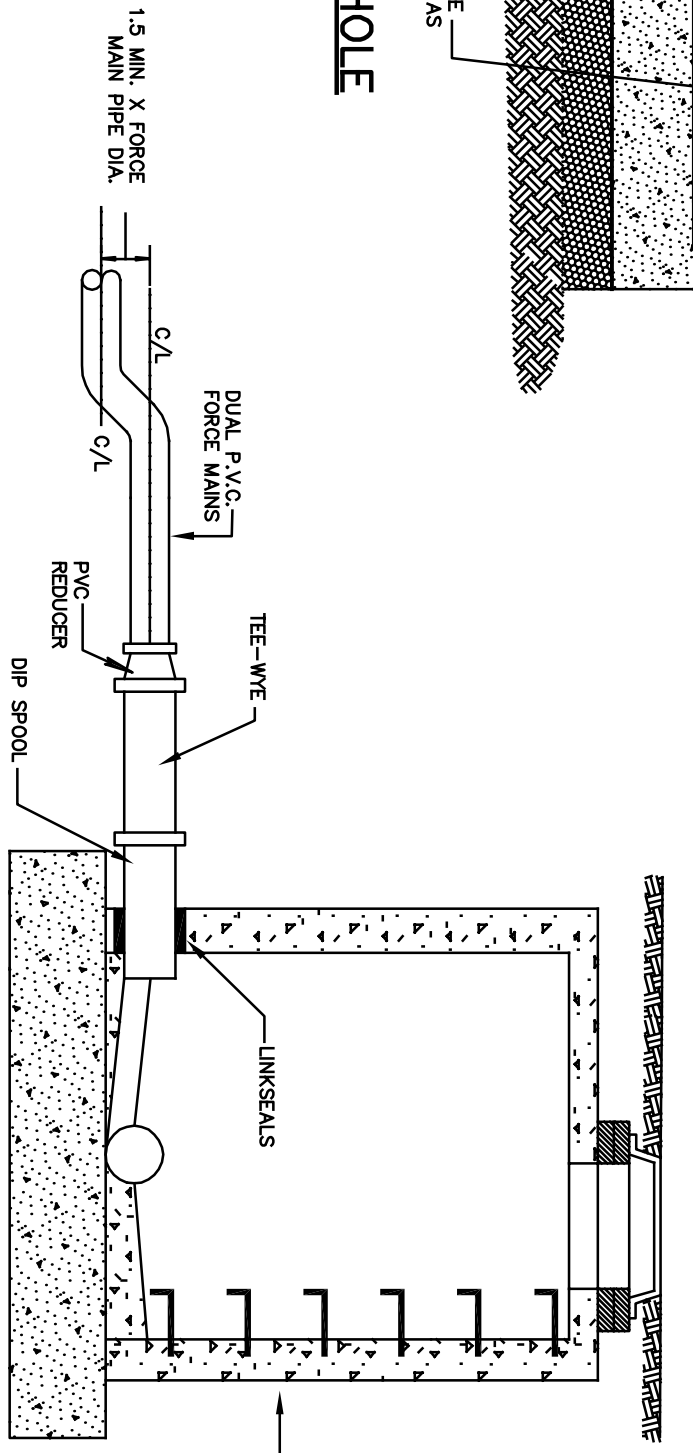
AIR RELEASE VALVE MANHOLE
 NOT TO SCALE



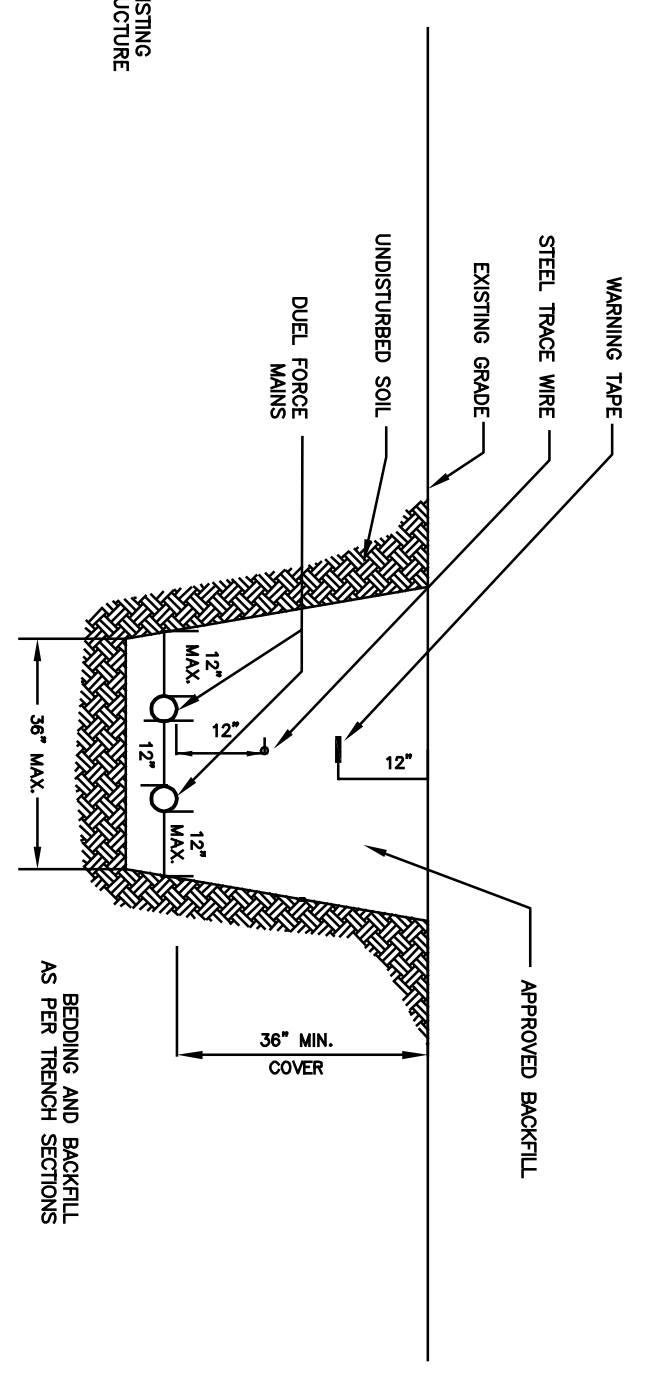
SINGLE FORCE MAIN DROP CONNECTION TO GRAVITY SEWER MANHOLE
 NOT TO SCALE



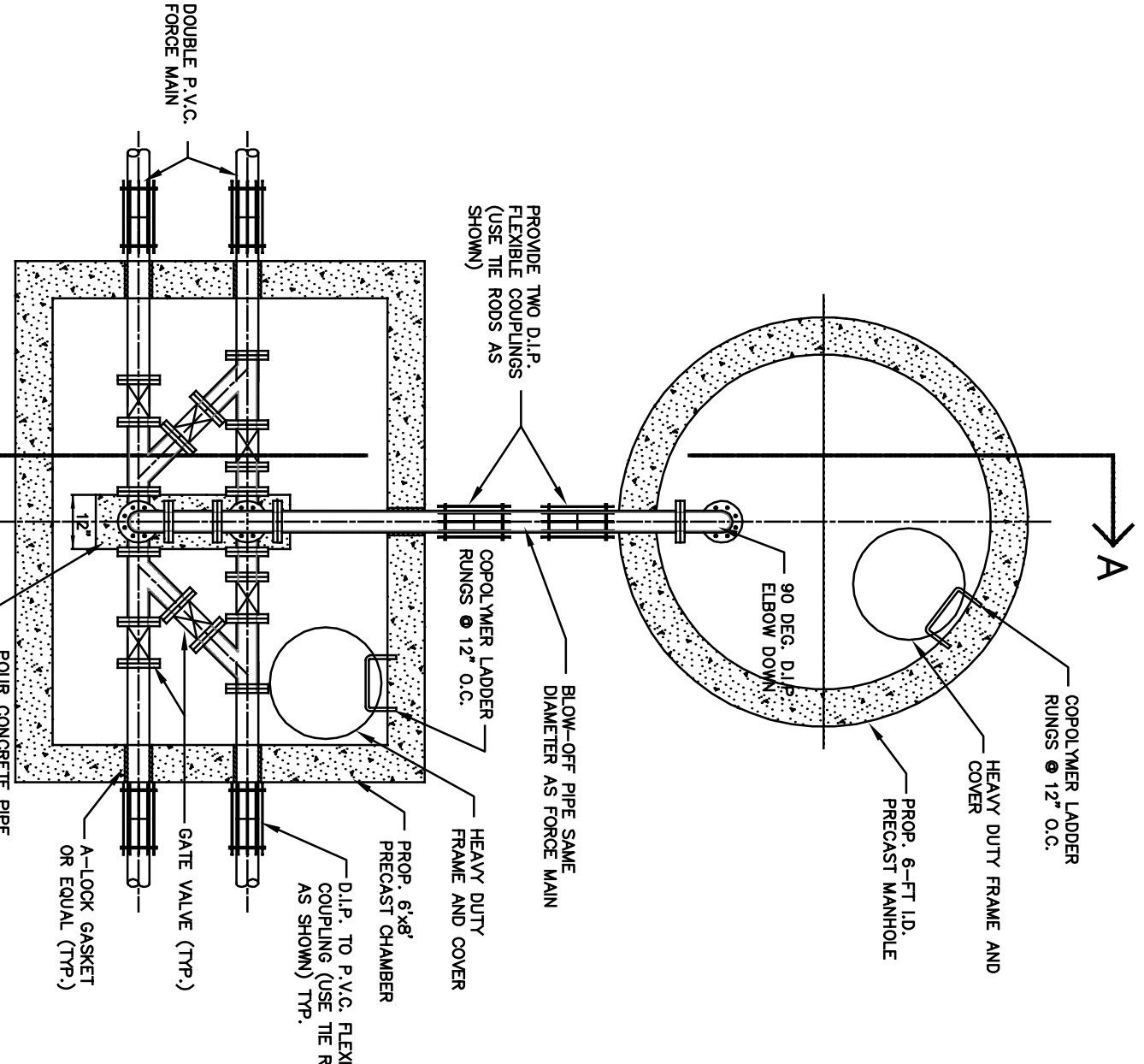
DUAL FORCE MAIN BLOWOFF MANHOLE SECTION A-A
 NOT TO SCALE



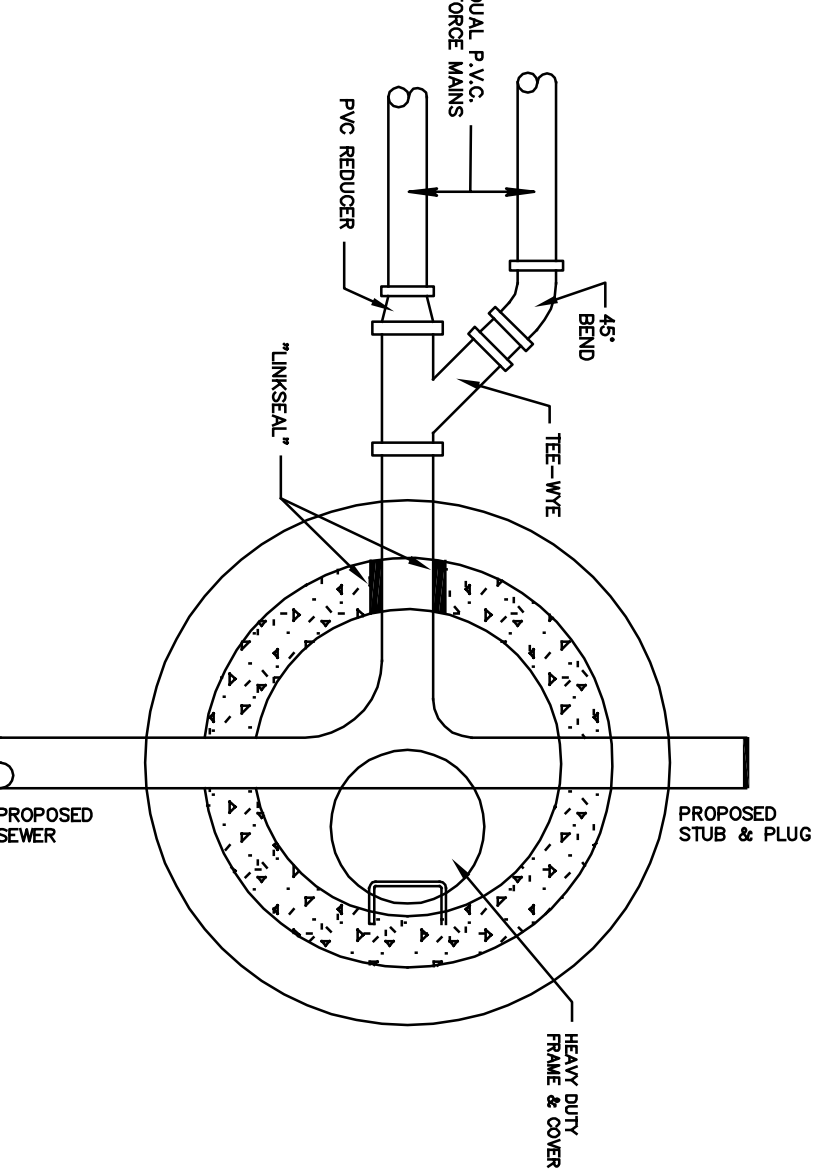
DUAL FORCE MAIN CONNECTION TO MANHOLE AT COMMON INVERTS
 NOT TO SCALE



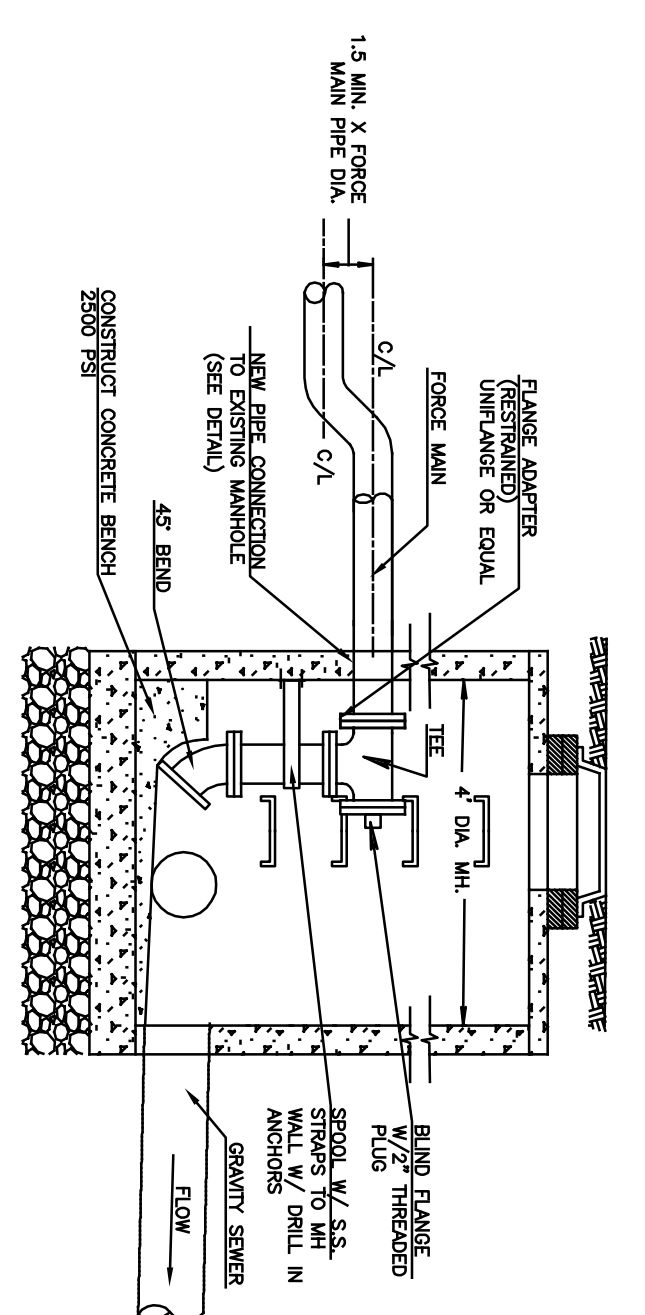
DUAL DUAL TRENCH DETAIL
 NOT TO SCALE



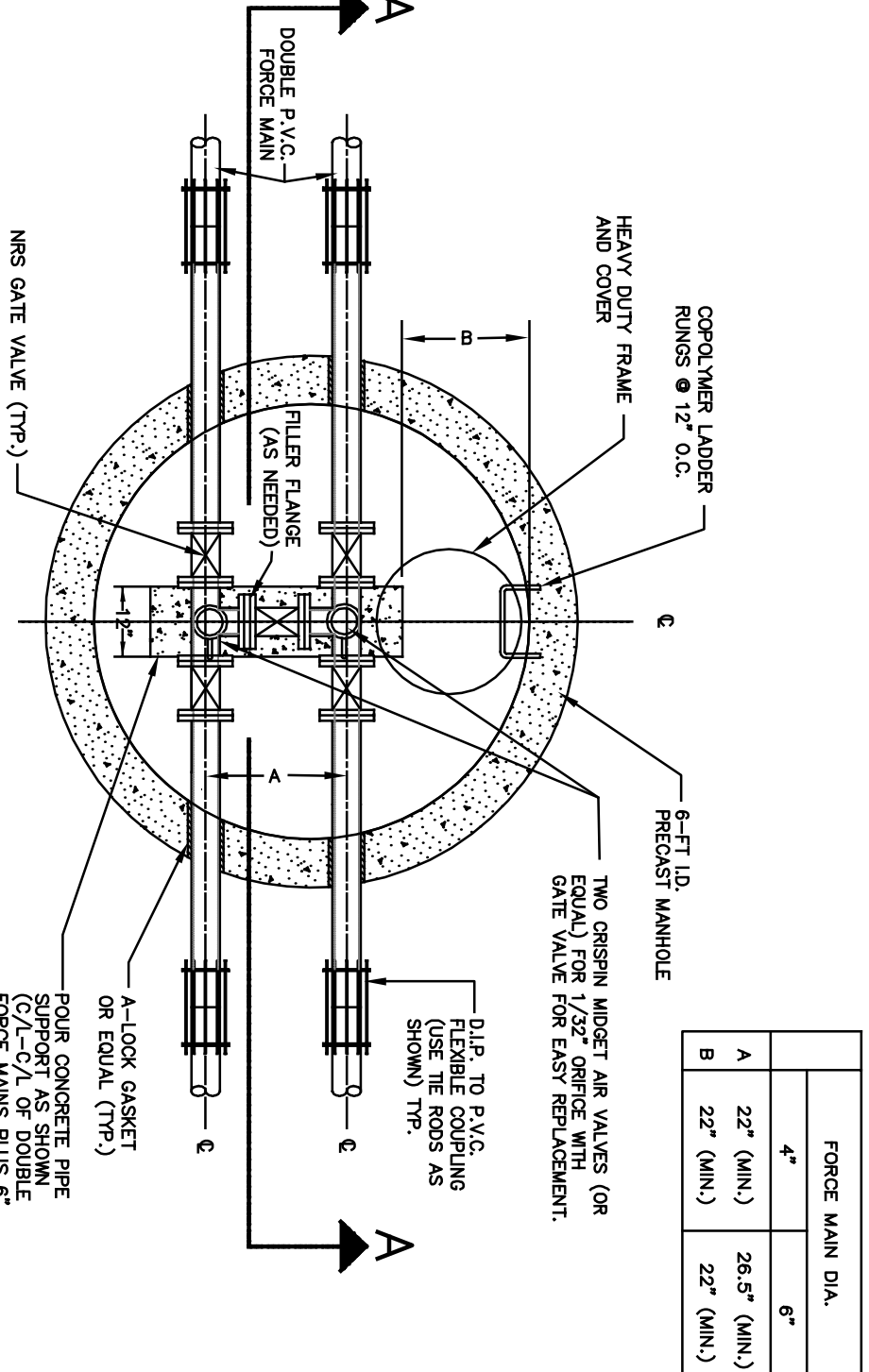
DUAL FORCE MAIN BLOWOFF MANHOLE DETAIL
 NOT TO SCALE



DUAL FORCE MAIN CONNECTION PLAN VIEW
 NOT TO SCALE



DUAL FORCE MAIN DROP CONNECTION TO GRAVITY SEWER MANHOLE
 NOT TO SCALE



DUAL AIR RELEASE VALVE MANHOLE DETAIL
 NOT TO SCALE

FORCE MAIN DIA.	
A	22\"/>
B	22\"/>
C	22\"/>

NOTE: FOUNDATION MATERIAL UNDER ALL STRUCTURES SHALL BE WRAPPED IN FILTER FABRIC.

THESE PLANS OF "STANDARD CONSTRUCTION DETAILS" ACCOMPANY THE ADOPTED RULES AND REGULATIONS OF THE WATER POLLUTION CONTROL AUTHORITY, TOWN OF BROOKFIELD, CONNECTICUT, DATED MARCH 2010.

NO.	DATE	REVISION	DRAWN	CHKD	RELD

Bsg BIRDSALL SERVICES GROUP
 ENGINEERS & CONSULTANTS

BIRDSALL ENGINEERING, INC.
 611 INDUSTRIAL WAY WEST
 EASTTOWN NJ 07724
 CHESTER CT ASSOCIATION NO. 24GA27989800

Tel: 732.380.1700
 Fax: 732.380.7101
 WWW.BIRDSALL.COM

DATE: _____

JAY T. PISCO, P.E.
 PROFESSIONAL ENGINEER
 CT. Lic. No. 25817

WPCA
 P.O. BOX 5106
 BROOKFIELD
 FAIRFIELD COUNTY
 CONNECTICUT

Drawing Name:
 BROOK_STANDARD_DETAILS.dwg

STANDARD CONSTRUCTION DETAILS
WATER POLLUTION CONTROL AUTHORITY
BROOKFIELD, CONNECTICUT

Job No. 200046450001
 SHEET NO. **4**

Drawn	JDR	Designed	JDR
Checked	DJD	Reviewed	JP
Date	01/08/10	Drawn Number	